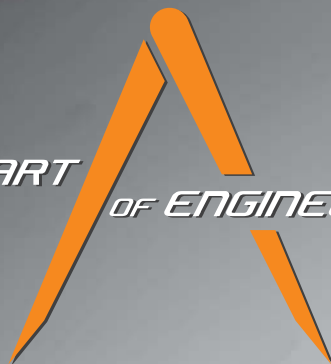


AF LINE



ART OF ENGINEERING





MESSAGE FROM THE CEO

Eddy Coppieters

DEAR DISTRIBUTOR,

LAVAMAC IS PROUD TO PRESENT THE NEW AF LINE OF WASHER EXTRACTORS. THEIR CONTEMPORARY LOOK COMBINED WITH THEIR HIGH TECHNOLOGICAL LEVEL WILL PROVIDE YOU WITH A PACKAGE OF SALES ARGUMENTS AND THE RIGHT AMMUNITION TO CREATE VALUE AND TO POSITION YOURSELVES IN THE GLOBAL MARKET.

After approximately two years of research and development, our team of engineers – in a joint effort with sales and marketing, logistics and production – succeeded in creating a brand-new line of free-standing washer extractors.

Throughout the development cycle, we tested the new features thoroughly with the most up-to-date testing equipment in order to achieve the highest levels of durability, reliability, electronics and performance.

Simple construction, ease-of-use, durability, low energy consumption in all aspects, high performance, time savings, user-friendly service – and, especially, an excellent washing result – were the main qualities that we focused on during the entire period of development.

This brochure will introduce you to the innovative AF line, with capacities of 7, 8, 11, 14, 18 and 24 kg – the washer extractor of the future.

Eddy Coppieters

CEO Primus Group

CONTENT

AF line brochure

- 2** Message from the CEO
- 3** AF line range
- 4** Art of energy, ecology, design, ergonomics
- 6** Art of energy
- 7** Art of ecology
- 8** Art of design
- 9** Art of ergonomics
- 10** AF 65, 80, 105
- 12** AF 135, 180, 240
- 14** ECO³ WASH Technology
- 15** List of washing programmes
- 16** AF Techspec 65, 80, 105, 135, 180, 240
- 20** Final word of VP Marketing and Sales

AF LINE



AF65



AF80



AF105



AF135



AF180



AF240



ART OF ENERGY

IN MANY REGIONS, WATER AND ENERGY CONSUMPTION ARE THE MAIN PART OF A SALE. To meet these requirements, the AF Line has been designed to achieve extreme low water and energy consumption.

ART

OF

ART OF DESIGN

MARKET RESEARCH REGARDING CUSTOMER EXPECTATIONS FOR A NEW LINE OF FRONT LOADERS SHOWS THAT DESIGN IS A VERY IMPORTANT ASPECT. As in the household sector, industrial innovations must be accentuated by design.



ART OF ECOLOGY

THE AF MACHINES ARE DESIGNED TO CONSUME EXTREMELY LITTLE WATER - WITHOUT REDUCING THE WASHING QUALITY. In order to achieve this, the space between drum and tub has been optimised. The heating elements are now in a 'sink' to protect them during the extremely low water consumption.



ENGINEERING

ART OF ERGONOMICS

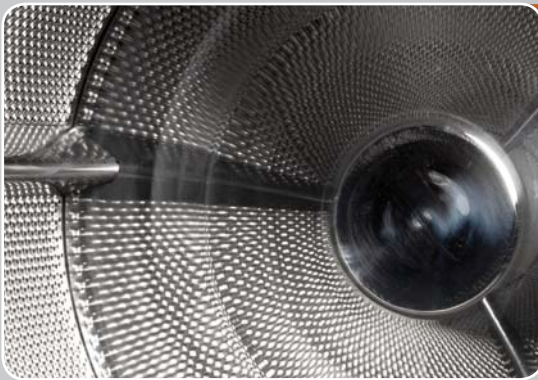
AS THE NEW AF LINE WAS BEING DEVELOPED, STRONG FOCUS WAS PLACED ON THE ERGONOMICS OF THE MACHINES, FROM THE USER'S AS WELL AS THE OWNER'S POINT OF VIEW. Because the diameter of the door opening is crucial for easy loading and unloading, the maximum diameter was calculated for each model.



AF LINE

ART OF ENERGY

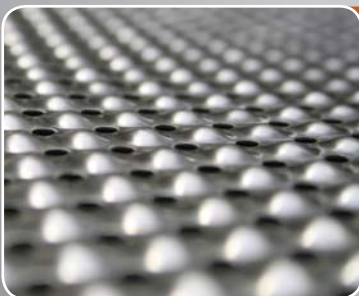
THE AF WASHER EXTRACTORS ARE STANDARD EQUIPPED WITH THE REVOLUTIONARY CASCADE™ DRUMS. THE SMALL BULGES BETWEEN THE PERFORATIONS IN THIS UNIQUE INNOVATIVE CONCEPT PROVIDE MANY ADVANTAGES.



25% LESS HUMIDITY
20% LESS ENERGY FOR DRYING

LAVAMAC INTRODUCES THE UNIQUE CASCADE™ DRUM

- Despite the extraction of 400 G of water, the linen does not stick to the drum – which simplifies unloading.
- Thanks to the CASCADE™ concept, there are more perforations in the drum over the same surface – so water extraction is much more efficient.
- The inclination of the bulges causes even more water to be extracted – so, the percentage of humidity after extraction is extremely low.
- The CASCADE™ shape of the drum holes provides an extra mechanical action that produces in an even better washing result.



CASCADE DRUM™
unique innovative concept



ART OF ECOLOGY

THE AF MACHINES ARE DESIGNED TO CONSUME EXTREMELY LITTLE WATER - WITHOUT REDUCING THE WASHING QUALITY. IN ORDER TO ACHIEVE THIS, THE SPACE BETWEEN DRUM AND TUB HAS BEEN OPTIMISED. THE HEATING ELEMENTS ARE NOW IN A 'SINK' TO PROTECT THEM DURING THE EXTREMELY LOW WATER CONSUMPTION.

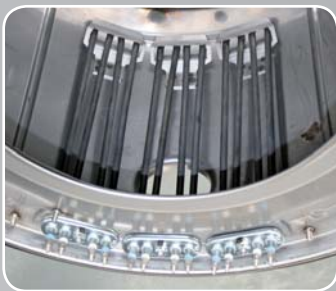


15% LESS WATER
CONSUMPTION

LESS WATER IN A PASSIVE SPACE BETWEEN TUB AND DRUM

Thanks to a couple of innovations, the amount of water that is used has been reduced:

- The passive space was changed by re-positioning the temperature sensor and the heating elements.
- Also, the space between the tub and the drain valve has been reduced.



HEATING ELEMENT
AND TEMPERATURE SENSOR
UNDER THE LOW WATER LEVEL

AF LINE

ART OF DESIGN

MARKET RESEARCH REGARDING CUSTOMER EXPECTATIONS FOR A NEW LINE OF FRONT LOADERS SHOWS THAT DESIGN IS A VERY IMPORTANT ASPECT. AS IN THE HOUSEHOLD SECTOR, INDUSTRIAL INNOVATIONS MUST BE ACCENTUATED BY DESIGN.



EASY TO USE DOOR KNOB

SHAPE OF THE CONTROL PANEL – „NOSE“

The control panel is inclined to make the operator's work more ergonomic. Options in the menu scroll up and down - very intuitive use for regular customers. Display shows which soap hopper compartment to use.

XControl Plus programmer with unlimited programming possibilities for laundry professionals. USB plug for fast and easy uploading of new washing programmes.



CONTROL PANEL
unique innovative concept



ART OF ERGONOMICS

BECAUSE THE DIAMETER OF THE DOOR OPENING IS CRUCIAL FOR EASY LOADING AND UNLOADING, THE MAXIMUM DIAMETER WAS CALCULATED FOR EACH MODEL. IN ADDITION, THE DOOR OPENS 180° FOR GREATER USER-FRIENDLINESS.

SOAP HOPPER IN THE FRONT, CENTRAL POSITION

AS THE NEW AF LINE WAS BEING DEVELOPED, STRONG FOCUS WAS PLACED ON THE ERGONOMICS OF THE MACHINES, FROM THE USER'S AS WELL AS THE OWNER'S POINT OF VIEW.



SOAP HOPPER
unique innovative concept



The soapbox consists of 4 compartments, suitable for powder as well as liquid soap. Plus, for additional ease-of-use, the compartments are now ergonomically located at the front of the lid and next to each other. To make things easier for the owner, all compartments have been designed to allow easy access during service.

The compartment for the main wash is modular, so the size of the cup can be switched depending on the size of the machine. The compartments can be covered (covers are optional) to prevent customers from making mistakes.

LARGE DOOR OPENING

The maximum diameter for the door opening has been calculated for each model to make loading and unloading easy. In addition, the door opens 180° for greater user-friendliness.



AF 65/80/105

WASHER EXTRACTOR

AF 105

AF 65

AF 80

WASHER EXTRACTOR	AF 65	AF 80	AF 105
Capacity	7 kg	8 kg	11 kg
Drum volume	65 l	75 l	105 l
Extraction speed	1165 RPM	1165 RPM	1075 RPM
G - Factor	400	400	400
Rest humidity	45 %	45 %	45 %



coin shops

WASHER-EXTRACTORS AF 65/80/105

FEATURES

- Free-standing, high spin
- Stainless steel top panel & Anthracite grey front and side panels
- XControl - easy-to-use microprocessor
- Patented Soap Hopper with 4 compartments
- Large drain valve (Ø 76 mm)
- Easy access to all vital parts from the front (heating elements, drain valve, etc.)
- Large door opening for easy loading & unloading, door opens 180°
- Easy-to-access control board (simply tilt the fascia panel)
- USB connection inside on control board for easy installation of washing programmes



XCONTROL
MICROPROCESOR



OPTIONS

- XControl Plus - Fully programmable microprocessor with almost unlimited possibilities
- Coin operated timer or version for Central Payment Systems (CPS)
- USB plug (on the back panel)
- Stainless steel front panel
- Stainless steel side panels
- Easy Soap - liquid soaps connection (electrical connection to the control board)
- Liquid soap pumps
- Drain Pump (AF 65, AF 80)
- Water recovery kit (preparation for recycling system)
- Steam heating version



XCONTROL PLUS
MICROPROCESOR



ERGONOMIC
CONSTRUCTION



LARGE DOOR
OPENING



LOW WATER AND ENERGY
CONSUMPTION



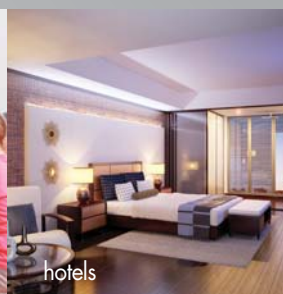
restaurants



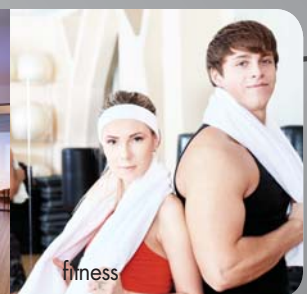
hairdressers



child care



hotels



fitness

AF 135 / 180 / 240

WASHER EXTRACTOR

AF 135



AF 240

AF 180



WASHER EXTRACTOR	AF 135	AF 180	AF 240
Capacity	14 kg	18 kg	24 kg
Drum volume	135 l	180 l	240 l
Extraction speed	1075 RPM	980 RPM	980 RPM
G - Factor	400	400	400
Rest humidity	45 %	45 %	45 %



elderly care

WASHER-EXTRACTORS AF 135/180/240

FEATURES

- Free-standing, high spin
- Stainless steel top panel & Anthracite grey front and side panels
- XControl - easy-to-use microprocessor
- Patented Soap Hopper with 4 compartments
- Large drain valve (Ø 76 mm)
- Easy access to all vital parts from the front (heating elements, drain valve, etc.)
- Large door opening for easy loading & unloading, door opens 180°
- Easy-to-access control board (simply tilt the fascia panel)
- USB connection inside on control board for easy installation of washing programmes



XCONTROL
MICROPROCESOR



OPTIONS

- XControl Plus - Fully programmable microprocessor with almost unlimited possibilities
- Coin operated timer or version for Central Payment Systems (CPS)
- USB plug (on the back panel)
- Stainless steel front panel
- Stainless steel side panels
- Easy Soap - liquid soaps connection (electrical connection to the control board)
- Liquid soap pumps
- Water recovery kit (preparation for recycling system)
- Steam heating version



XCONTROL PLUS
MICROPROCESOR



ERGONOMIC
CONSTRUCTION



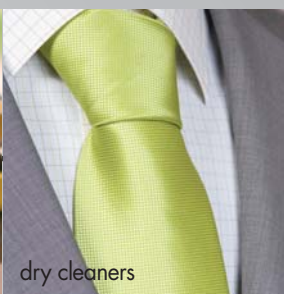
LARGE DOOR
OPENING



LOW WATER AND ENERGY
CONSUMPTION



army



dry cleaners



wellness



catering



firebrigades

ECO³ WASH TECHNOLOGY - THE NEW AF LINE HAS BEEN DEVELOPED WITH A STRONG FOCUS ON LOW WATER AND ENERGY CONSUMPTION.



20% LESS ENERGY CONSUMPTION

Using the lower water levels has reduced the energy required for heating as well.

15% LESS WATER CONSUMPTION

Optimising the passive space between tub and drum has minimised water consumption considerably.



25% LESS RESIDUAL MOISTURE

Thanks to the final extraction's very high RPM, the laundry has exceptionally low residual moisture, which also reduces the energy required for drying.



AF line
ECO WASH TECHNOLOGY

LIST OF WASHING PROGRAMMES

*ALL VALUES BASED ON 8 KG LOAD IN AF80 AND COLD WATER INLET ONLY

PROGRAM	SPIN SPEED	WATER CONSUMPTION	ENERGY CONSUMPTION	REAL TIME	RINSES
1 HOT WASH 90° INTENSIVE	1120	131,4 l	4,3 kWh	57'52"	3
2 WARM WASH 60° INTENSIVE	1120	99,6 l	1,97 kWh	51'21"	3
3 COLOR WASH 40° INTENSIVE	1120	124,1 l	1,66 kWh	58'44"	3
4 BRIGHT 30° INTENSIVE	1120	86,0 l	0,52 kWh	34'27"	3
5 WOOLENS 15°	400	61,6 l	0,04 kWh	22'32"	3
6 HOT WASH 90°	1120	89,5 l	3,49 kWh	1:32'41"	3
7 WARM WASH 60°	1120	79,8 l	1,68 kWh	1:04'20"	3
8 COLOR 40°	1120	82,0 l	1,09 kWh	1:02'24"	3
9 BRIGHT 30°	1120	77,9 l	0,48 kWh	0:53'07"	3
10 ECO HOT 90°	1165	69,4 l	2,86 kWh	1:00'58"	2
11 ECO WARM 60°	1165	58,5 l	1,44 kWh	43'02"	2
12 ECO COLOR 40°	1165	68,2 l	1,02 kWh	42'32"	2
13 ECO BRIGHT 30°	1165	60,3 l	0,54 kWh	32'06"	2
14 LOW SPIN	400	35,1 l	0,03 kWh	11'19"	1
15 HIGH SPIN	1165	38,7 l	0,13 kWh	19'05"	1

Test values according to European domestic standard EN60456 and a cold water inlet.

TYPE		AF 65
CAPACITY	kg	7
drum volume	litres	65
diameter	mm	530
DRUM SPEED		
wash	rpm	49
extraction	rpm	1165
G-FACTOR		400
HEATING		
electricity (standard)	kW	6 / 9
steam	bar	1 - 8
hot water	°C	90
WEIGHT, NET	kg	156
Sound pressure level	dB (A)	< 65
Water valves connection	BSP	3/4"
Water pressure	kPa	100-800
Rec. water pressure	kPa	300-500
Water inlet	l/min	20
Drain valve	outer Ø mm	76
Flow amount with drain valve	l/min	210
Steam valve connection	BSP	1/2"

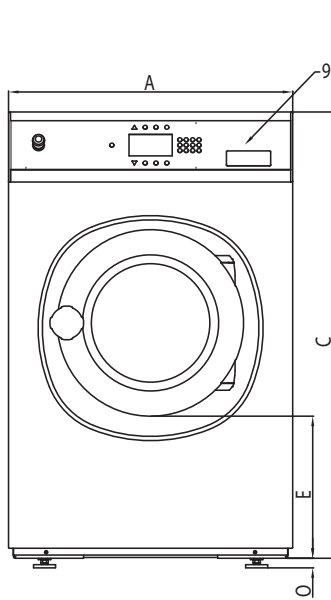
TYPE		AF 80
CAPACITY	kg	8
drum volume	litres	75
diameter	mm	530
DRUM SPEED		
wash	rpm	49
extraction	rpm	1165
G-FACTOR		400
HEATING		
electricity (standard)	kW	6 / 9
steam	bar	1 - 8
hot water	°C	90
WEIGHT, NET	kg	185
Sound pressure level	dB (A)	< 65
Water valves connection	BSP	3/4"
Water pressure	kPa	100-800
Rec. water pressure	kPa	300-500
Water inlet	l/min	20
Drain valve	outer Ø mm	76
Flow amount with drain valve	l/min	210
Steam valve connection	BSP	1/2"

TYPE		AF 105
CAPACITY	kg	11
drum volume	litres	105
diameter	mm	620
DRUM SPEED		
wash	rpm	49
extraction	rpm	1075
G-FACTOR		400
HEATING		
electricity (standard)	kW	6 / 9 / 12
steam	bar	1 - 8
hot water	°C	90
WEIGHT, NET	kg	210
Sound pressure level	dB (A)	< 65
Water valves connection	BSP	3/4"
Water pressure	kPa	100-800
Rec. water pressure	kPa	300-500
Water inlet	l/min	20
Drain valve	outer Ø mm	76
Flow amount with drain valve	l/min	210
Steam valve connection	BSP	1/2"

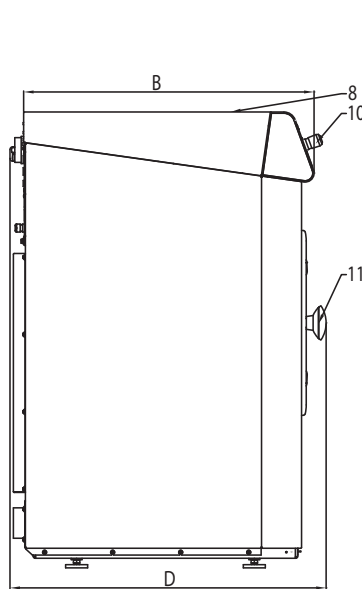
TYPE		AF 135
CAPACITY	kg	14
drum volume	litres	135
diameter	mm	620
DRUM SPEED		
wash	rpm	49
extraction	rpm	1075
G-FACTOR		400
HEATING		
electricity (standard)	kW	9 / 12
steam	bar	1 - 8
hot water	°C	90
WEIGHT, NET	kg	255
Sound pressure level	dB (A)	< 65
Water valves connection	BSP	3/4"
Water pressure	kPa	100-800
Rec. water pressure	kPa	300-500
Water inlet	l/min	20
Drain valve	outer Ø mm	76
Flow amount with drain valve	l/min	210
Steam valve connection	BSP	1/2"

TYPE		AF 180
CAPACITY	kg	18
drum volume	litres	180
diameter	mm	750
DRUM SPEED		
wash	rpm	42
extraction	rpm	980
G-FACTOR		400
HEATING		
electricity (standard)	kW	12 / 18
steam	bar	1-8
hot water	°C	90
WEIGHT, NET	kg	350
Sound pressure level	dB (A)	<65
Water valves connection	BSP	3/4"
Water pressure	kPa	100-800
Rec. water pressure	kPa	300-500
Water inlet	l/min	20
Drain valve	outer Ø mm	76
Flow amount with drain valve	l/min	210
Steam valve connection	BSP	1/2"

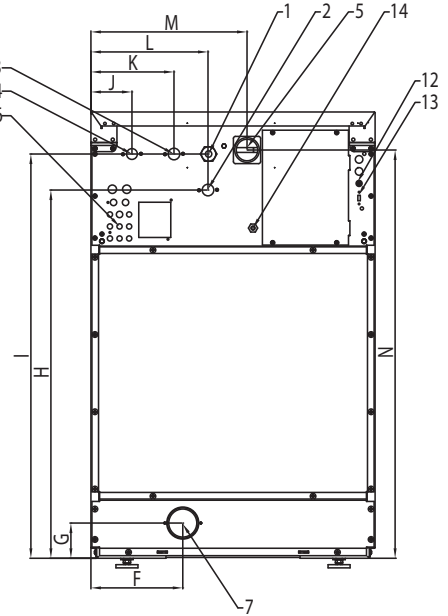
TYPE		AF 240
CAPACITY	kg	24
drum volume	litres	240
diameter	mm	750
DRUM SPEED		
wash	rpm	42
extraction	rpm	980
G-FACTOR		400
HEATING		
electricity (standard)	kW	18
steam	bar	1-8
hot water	°C	90
WEIGHT, NET	kg	400
Sound pressure level	dB (A)	<65
Water valves connection	BSP	3/4"
Water pressure	kPa	100-800
Rec. water pressure	kPa	300-500
Water inlet	l/min	20
Drain valve	outer Ø mm	76
Flow amount with drain valve	l/min	210
Steam valve connection	BSP	1/2"



Front



Left side



Rear

- | | | |
|--------------------------|--|---|
| 1 Electrical connection | 7 Drain | 12 Fuses |
| 2 Hot water | 8 Soap dispenser | 13 USB port |
| 3 Cold water hard | 9 Control panel | 14 Electrical connection to liquid soap pumps |
| 4 Cold water soft | 10 Button CENTRALSTOP | |
| 5 Main switch | 11 Door opening,
AF65, AF80: Ø 330;
AF105, AF135: Ø 410
AF180, AF240: Ø 460 | |
| 6 Connection liquid soap | | |

DIMENSIONS

	A	B	C	D	E	F	G	H	I	J	K	L	M	N	O
AF65	710	676	1115	740	355	230	88	920	1010	103	208	293	390	1020	24
AF80	710	726	1115	790	355	230	88	920	1010	103	208	293	390	1020	24
AF105	795	761	1225	795	342	230	88	1030	1120	103	208	379	475	1130	24
AF135	795	911	1225	942	342	230	88	1030	1120	103	208	379	475	1130	24
AF180	968	906	1410	968	477	270	108,5	1215	1305	102,5	207,5	292,5	610	1315	24
AF240	968	1041	1410	1105	477	270	108,5	1215	1305	102,5	207,5	292,5	610	1315	24
	width	depth	height												

FINAL WORD BY VICEPRESIDENT OF SALES AND MARKETING

Dear Customer,

The launch of the AF line is particularly important with a view to Lavamac' future growth. Energy and water are rapidly becoming the greatest challenges of the 21st century – and therefore, water- and energy-saving machines are unmistakably a must. In addition, today's customers have an eye for detail. So, to anticipate this, Lavamac has worked with a highly regarded design agency. Our excellent network of distributors has convinced us that, with the brand-new AF line, we have the right product to meet the challenges of the coming years.



Jean-Baptiste Van Damme
Vice President Sales and Marketing Primus Group